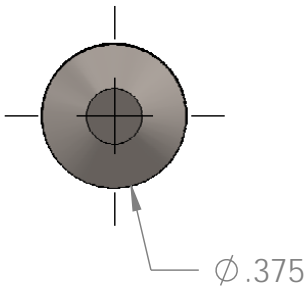
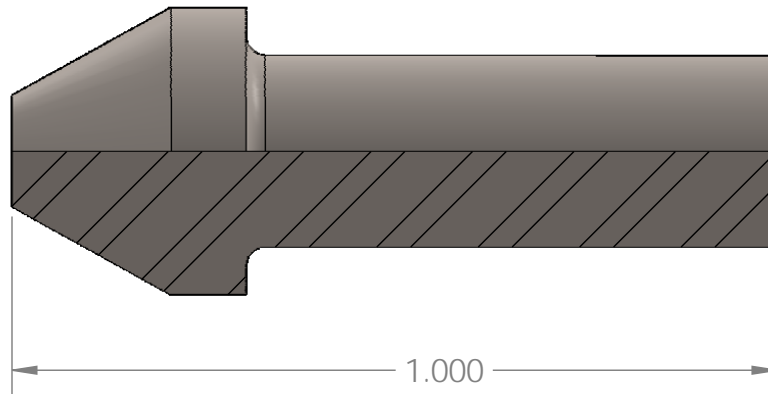
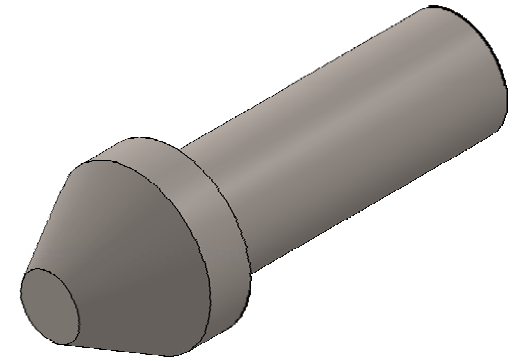




ultraPressure components

We can handle Pressure



1/4" MP PLUG

MATERIAL	316L S.S.
SEALS	NONE
WORKING PRESSURE	20,000 PSI

SIZE	DWG. NO.	REV
A	5406P-4M	0

SHEET 1 OF 1

5

4

3

2

1